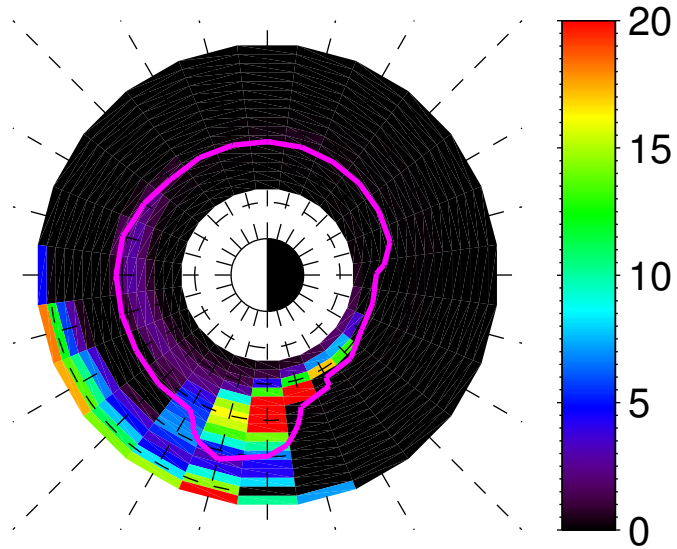
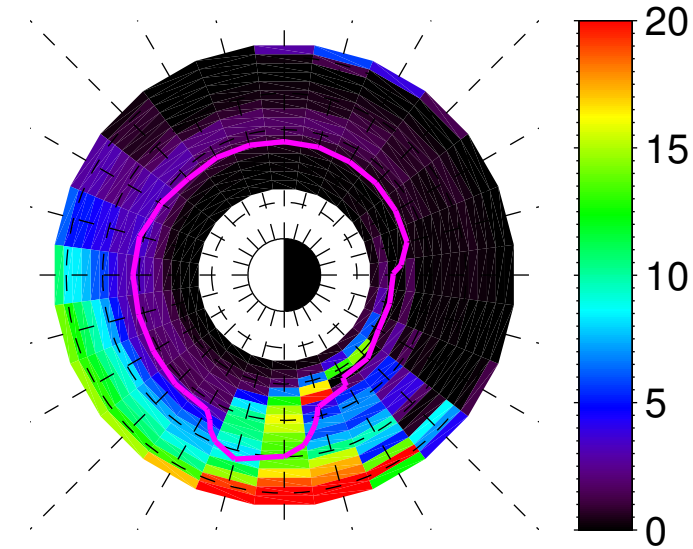


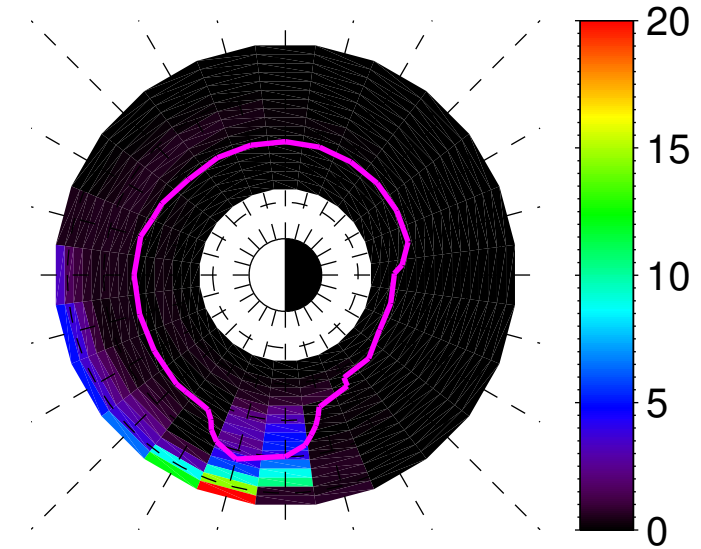
H+ band gain, dB (estimated)



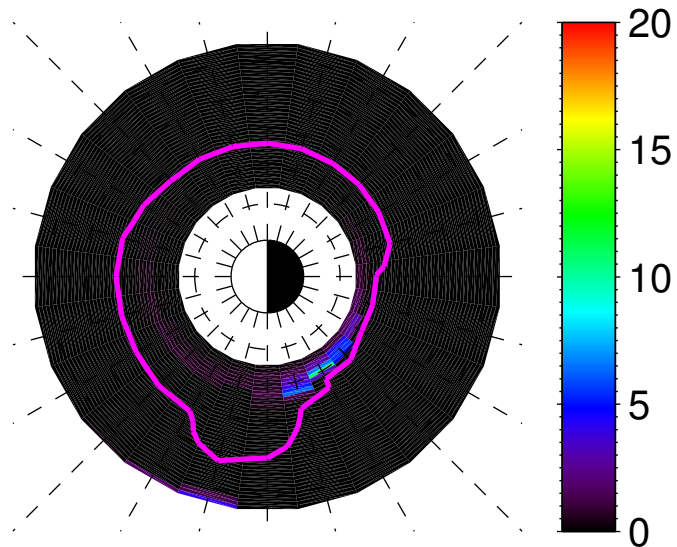
He+ band gain, dB (estimated)



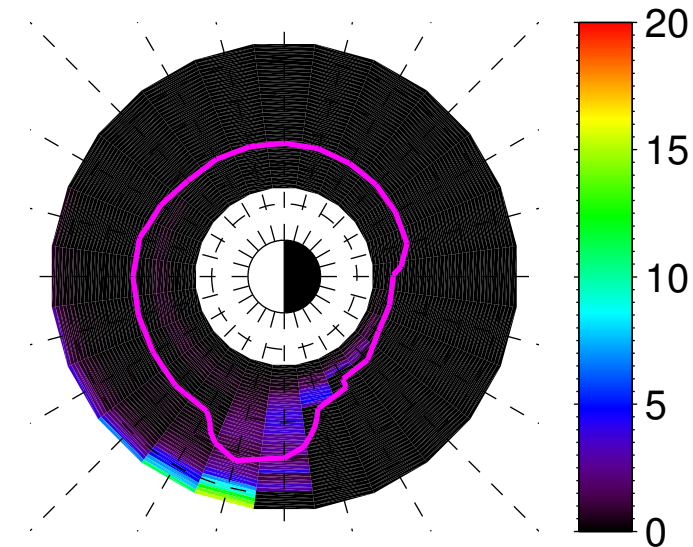
O+ band gain, dB (estimated)



H+ band gain, dB



He+ band gain, dB



O+ band gain, dB

